

# ***Pulsar-80Cu***

## ***PORTABLE TEMPERATURE CALIBRATOR***



**Operating range:**  
*Room temp. / +550 °C*

**Applications:**

- Control of high-length thermostats.*
- Removable testing insert Ø60 x 275 mm.*
- Insert with on-request holes.*





# Pulsar-80Cu

## PORTABLE TEMPERATURE CALIBRATOR

The **PULSAR-80Cu** temperature calibrator is a compact instrument used to calibrate transducers and temperature-measuring sensors. The considerable size makes it suitable for test of thermostats with high-length bulb.

### TECHNICAL CHARACTERISTICS:

The **PULSAR-80Cu** oven consists of a metal block measuring Ø80 x 300 mm heated by a resistance which winds around the outer surface of the block. An hole measuring Ø60 x 275 mm is made in the block for the appropriate reduction inserts.

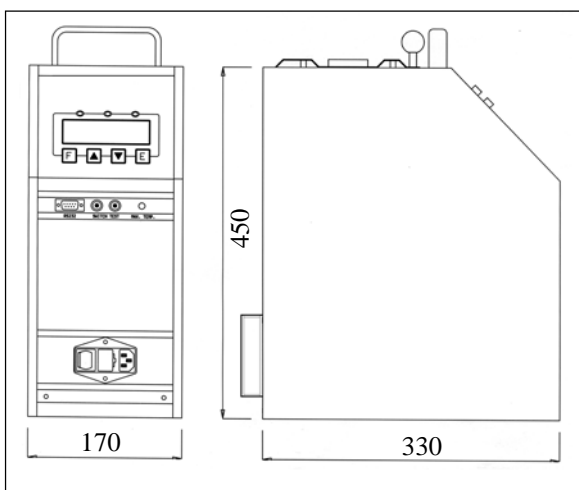
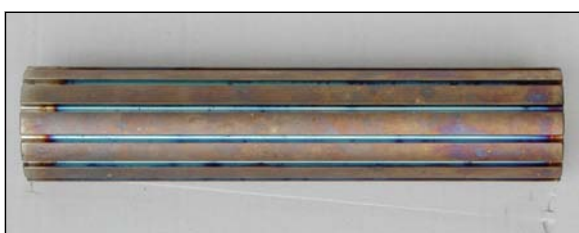
The **PULSAR-80Cu** is equipped with a counter-current forced air cooling system, which keeps the temperature low in the upper part of the well; this system enables to check even very short probes, without heating the connecting head or the handgrip; it is equipped with a PID microprocessor controller with a resolution up to 0,01 °C, setting of the standard of measurement in °C, °F and K programming of ascent/descent ramps and storage of the thermostats' operative temperature.

In the **PULSAR-80Cu-2I** version the instrument is equipped with an acquisition card having two adjustable inputs (Pt100 3/4 wires; thermocouples: J, E, K, N, R, S) with bushes fitted with gold-plated contacts and automatic compensation of the cold junction.

The REF input is provided for the reference sample probe, thus obtaining a complete calibration system which can be certified by SIT centres, in compliance with ISO 9000 regulations.

The EXT input is provided for probes that are being tested; hence, the instrument can display the temperatures of the furnaces, the temperature of the sensor to be checked and of the reference sample probe, at the same time.

Furthermore, **PULSAR-80Cu** is equipped with the RS232 serial interface; it can operate in automatic mode connected to the PC by means of the AQ2sp software which enables to carry out probe calibrations and cyclical life tests; test results can be stored and printed, so they are easily traceable in compliance with ISO 9000 standards.



### TECHNICAL DATA (PULSAR-80Cu-00)

Operating range:	Room temp. ÷ +550 °C
Stability:	±0,05 °C (@ 450 °C)
Uniformity (@ 400 °C)	
- Radial	±0,1 °C (@ 100 mm)
- Axial	±0,3 °C (for 120 mm from the bottom)
Mean heating time:	9 °C/min
Mean cooling time:	1,6 °C/min
Display resolution:	0,1 °C / 0,01 °C
Display accuracy:	±0,3 °C
Units of measurement:	°C - °F - K
Serial interface:	RS232
Well diameter:	60 mm
Insert hole depth:	275 mm
Power supply:	230 V - 50/60 Hz
Electric power:	1700 VA
Calibrator size:	170 x 450 x 330 mm
Calibrator weight:	23 kg
Shipping weight with carrying case:	30 kg
Shipping size:	240 x 410 x 515 mm

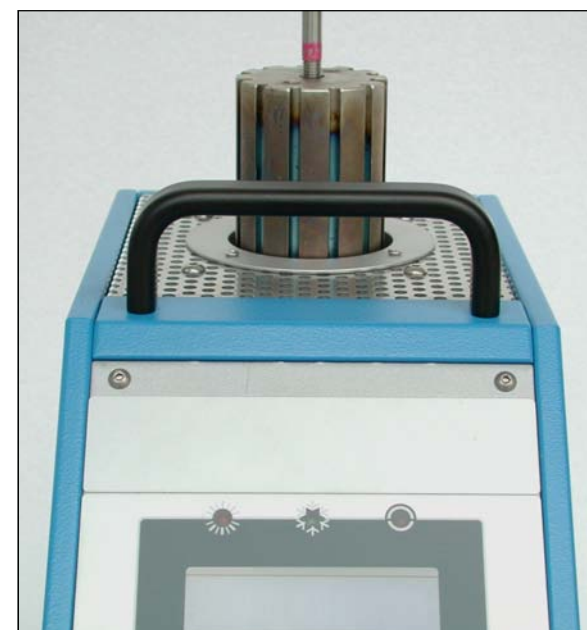
### STANDARD EQUIPMENT:

- Power supply cable.
- Fuses kit.
- Thermostats connection cables.
- Instructions manual.
- Test report.
- Block extractor.
- Insert with on-request holes.
- RS232 serial interface.

### ORDERING CODES:

**PULSAR-80Cu-**  **00** - Standard version.  
 **2I** - Version with 2 adjustable inputs.

**AQ2SP:** AQ2sp software + serial cable.



### PULSAR-80Cu-2I

Version with data acquisition card and two input devices to measure:

Type of probe	Range	Accuracy
Pt100 IEC 3/4 wires	-100 / 700 °C	±0,3 °C
Thermocouple J E	0 / 1000 °C	±1 °C
Thermocouples K N R S	0 / 1300 °C	±1 °C



### GIUSSANI S.r.l.

Via dei Crederi, 411  
24045 Fara Gera d'Adda (BG) - Italy  
Tel.: 0363/399019 - Fax.: 0363/398725

[www.giussanionline.it](http://www.giussanionline.it)

E-mail: [info@giussanionline.it](mailto:info@giussanionline.it)



### CERTIFICATION:

All instruments are supplied with final testing, stability and accuracy certification traceable to *Accredia* standards.

**A QUESTION OF CALIBRATION**